

## Thimble Temperature Sensor

### Description

Stylish sensor housing with slotted vents for airflow across the sensor. Can be fitted with a wide choice of sensor options. Supplied with a flying lead for fixing into a wall or architrave or fitted to a standard single gang plate. Available in a wide range of materials and finishes

### Material

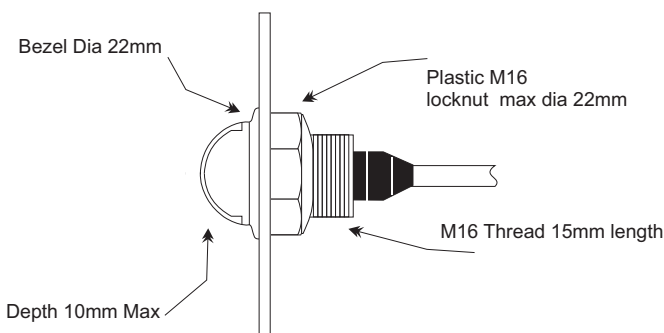
Aluminium, Brushed stainless steel, Polished stainless steel, Lacquered Brass, Powder coated in RAL colours. Any plated finish to match existing electrical hardware (See our leaflet for the range of finishes). Also available in any style to match existing Electrical switchplates (eg screwless etc)

### Mounting

Housing: 22mm dome with 15mm x M16 thread  
Supplied with locking nut and washer

Plate mounted: 86mm x 86mm  
fits standard single gang back box

Flying lead: Supplied with a flying lead 200mm, 2 metre, 5 metre or 10metre



### Associated Products

Thimble sensor / Setpoint  
Concealed sensor / Setpoint  
Discrete Temperature Sensors  
Button Temperature Sensors  
0 - 10Vdc Setpoint

### Ordering information

TTS - 01 - 10 - 02

Finish	
Ref	Finish
01	<b>Brushed Stainless steel</b>
02	Polished Stainless steel
05	Lacquered Brass
07	Powder coated (state RAL colour)
28	White plastic
11	White primer
XX	Match Electrical switchplates (state range and finish)
eg Wandsworth Infinity Polished Nickel	

Mounting	
Ref	Mounting
01	<b>Thimble only 200mm lead</b>
02	<b>Thimble only 2 metre Lead</b>
05	Thimble only 5 metre Lead
10	Thimble only 10 metre Lead
25	<b>Fitted to Single gang plate finished to match</b>

Sensor Type		
Ref	Sensor	System
01	1.8K3A1	TAC
04	3K3A1	Alerton
10	<b>10K3A1</b>	<b>Trend, Honeywell, Next, Smart</b>
12	10K4A1	Andover, Delta, York
15	20K6A1	Honeywell
20	50K6A1	Priva
30	SAT1	Satchwell
52	PT1000A	Cylon
60	LS Ni1000	Siemens
70	Mitsi	Mitsubishi
72	Daik	Daikin
80	Gira	Gira KNX
XX	Other ( specify when ordering)	

Example:

TTS- 01 - 10 - 02

Stainless steel housing, Trend sensor, 2 metre flying lead

**Bold = Standard item available from stock**