

## Setpoint / Positioner 0 - 10Vdc

### Description

0 - 10Vdc rotary setpoint unit for positioning a damper or for input into a Fan Speed controller. Supplied with Knob to fit onto a Panel Fascia or complete and fitted to a single gang plate. Custom Engraving included in price

### Specification

24Vac/dc supply  
 0 - 10Vdc or 2 - 10Vdc output  
 (selectable with jumper on the PCB)

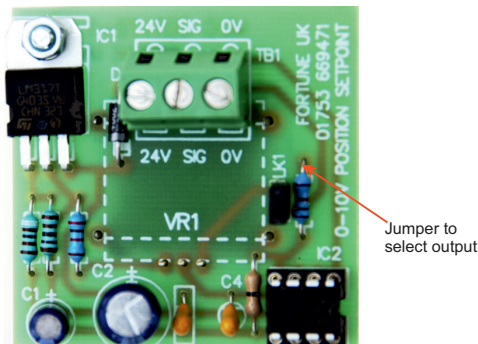
Terminals: 24v supply, 0-10Vdc output, 0V (common)

### Dimensions

Panel mount: PCB 45mm x 45mm, 30mm max depth behind panel  
 Requires 9.5mm x 7mm hole

Plate: Standard single gang plate 86mm x 86mm (or style to match Electrical switchplates)  
 fits standard flush single gang back box

Engraving: Any engraving to suit your requirements (choose from examples or send a drawing)



### Ordering information

SPV - 28 - 07

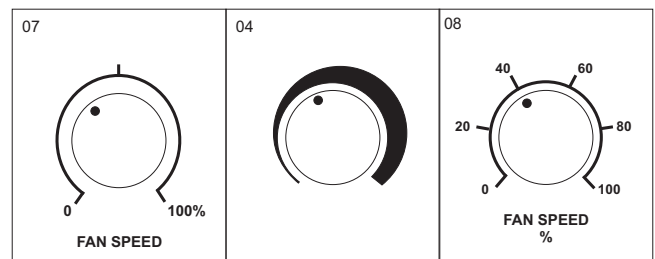
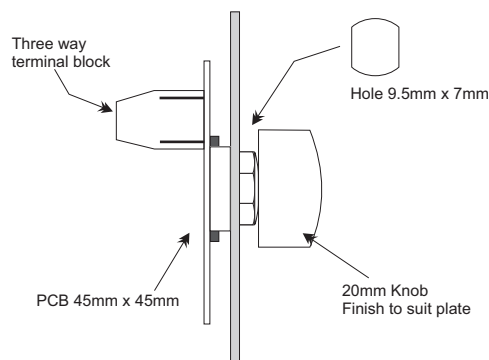
| Mounting  |  |
|-----------|--|
| Ref       | Mounting   |
| 01        | Brushed Stainless steel                            |
| <b>28</b> | <b>White plastic ( flush mount)</b>                |
| 29        | White plastic complete with surface mount Back box |
| 50        | Pot / White plastic Knob for Panel mounting        |
| 51        | Pot /Aluminium Knob for Panel mounting             |

| Engraving style |                        |
|-----------------|------------------------|
| Ref             | Style                  |
| <b>07</b>       | <b>Std / FAN SPEED</b> |
| 04              | Black expanding        |
| 08              | Scale (state Range)    |
| XX              | Send drawing           |

Example:

SPV - 28 - 08  
 0 - 10Vdc Setpoint, White plastic plate for flush mounting , Engraved Scale 0 - 100%

**Bold = Standard item available from stock**



### Associated Products

Potentiometric setpoint pots  
 4 - 20mA setpoint  
 Electronic setpoint unit 0 - 10Vdc

If this product doesn't quite suit your application - Contact us to discuss a bespoke version